

Industry: Tank Liquid Storage

# UV ProFMD 40



**Flange module -  
maximum flexibility in  
use and performance**

**UVpro FM flange modules are available as mono and duo devices. The modules are ideal for first-time or subsequent installation in air ducts, storage tanks as well as surface treatment in crate washers etc. Especially the variety of possible applications, the high reliability and the easiness of installation makes it to our all-rounder.**

- for air ducts, tanks, basins, in facilities etc.
- suitable for full immersion (IP68)
- easy installation, also subsequently.

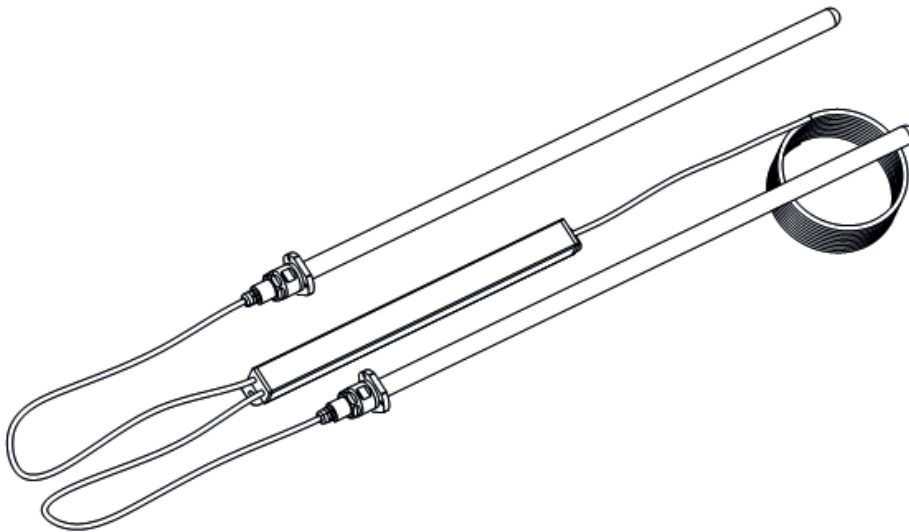
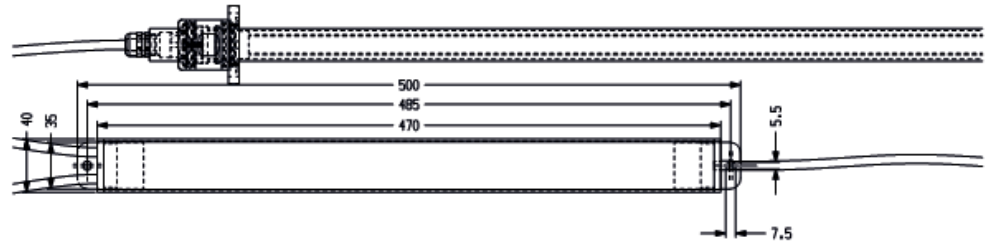
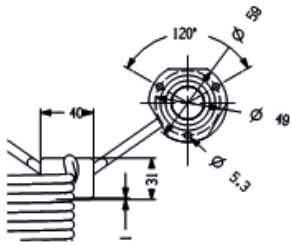
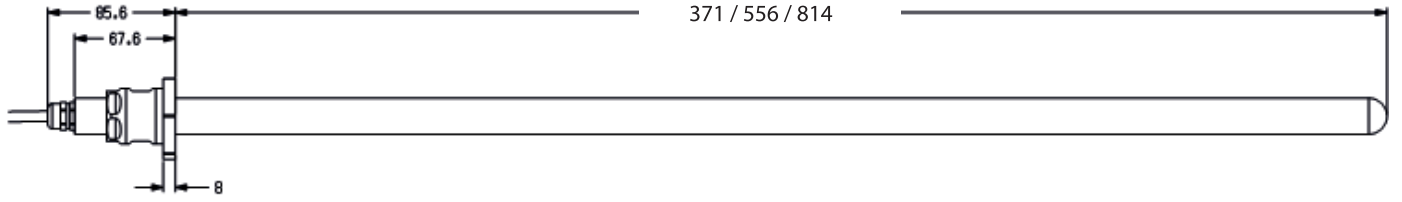


## TECHNICAL SPECIFICATIONS

Short name	<b>UVpro FM</b>		
In conformity with requirements	EMV, CE, IP68		
Material	stainless steel: WN 1.4301 and WN 1.4305		
Operating temperature [°C]	0...+40		
Suitable UVpro tube	<b>UVpro</b> K(T)20-2/-4	<b>UVpro</b> K(T)30-2/-4	<b>UVpro</b> K(T)36-2 / 40-4
Type [mono / duo]	<b>UVpro</b> FMM 40 / <b>UVpro</b> FMD 40		
Input power [W]	21 / 42	31 / 62	41 / 82
Current flow [mA]	110 / 210	145 / 290	195 / 390
Total UVC output [W <sub>253,7 nm</sub> ]	7 / 14	11 / 22	16 / 32
Tube intensity at 1 m [ $\mu\text{W}/\text{cm}^2$ ]	65	95	150
Tube length from screw joint [mm]	371	556	814
Weight [kg]	2,65 / 3,2	2,7 / 3,25	2,75 / 3,3
Screw joint, wrench size [mm]	34		
Tube replacement interval [h]	12.000 (75 % $\pm 5\%$ output performance)		
Life expectancy electronics	> 10 years		
Supply voltage [VAC]	220...240 (50...60 Hz)		
Cable length, grid / tube [m]	10 (customisable) / 1		

Technical changes reserved

# TECHNICAL DRAWINGS





**S P E C T R A**

**PROFESSIONAL UV SOLUTIONS**

Str. Zizinului, Nr. 110, 500407, Braşov, România  
[www.spectra.ro](http://www.spectra.ro) / [contact@spectra.ro](mailto:contact@spectra.ro) / (+40) 0770-187-379  
SPECTRA is a trademark of AKRO