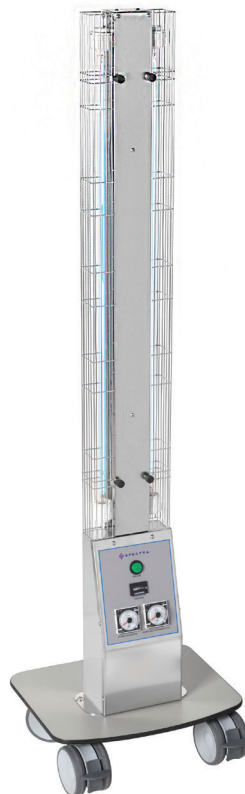


Industry: Hotels

UV FAN & STICK Mobile units



**UV-C air and surfaces
Purifier**



UV-FAN and UV-STICK allows deep air and surfaces disinfection in any type of health sector environment. Traditional cleaning methods are, often, not sufficient to ensure high levels of hygiene, which can be achieved only by the use of UV-C technology.



The disinfection level with UV-FAN and UV-STICK achieves the elimination (99,99%) of bacteria such as Bacillus, Coli, Clostridium, Legionella, Vibrio, Salmonella, Pseudomonas, Staphylococcus, etc. in just a few minutes of operation. High disinfection levels of UV-STICK and UV-FAN can be otherwise achieved, but only with chemicals, hazardous to health and harmful to the environment, as well as costly.

TECHNICAL SPECIFICATIONS

UV FAN	UV-FAN- M2/95HP-ST	UV-FAN- M2/95HP-2BD* - ST-Rc2
DIMENSIONS WxDxH (cm)	123x32x13	464x40x13
AIR FLOW (m ³ /h)	150	150
UV LAMPS Nr. POWER (W)	2x95 W	2x95+2x55 W
CONSUMPTION(W)	220 W	220+110 W
T.M.L. REDUCTION	>99,9%	>99,9%
IRRADIATION AREA (m ²)(h=3 m)	40	40
IRRADIATION VOLUME (m ³)	100	100
PROTECTION RATING	IP20	
LAMP LIFETIME (hours)	9000	
REPLACEMENT LAMP	N°2 GHP-95WH	Internal: N°2 GHP-95WH External: N°2 CH-55WH

* BD model = + external lamp for direct irradiation

* ST model = purifier on wheels

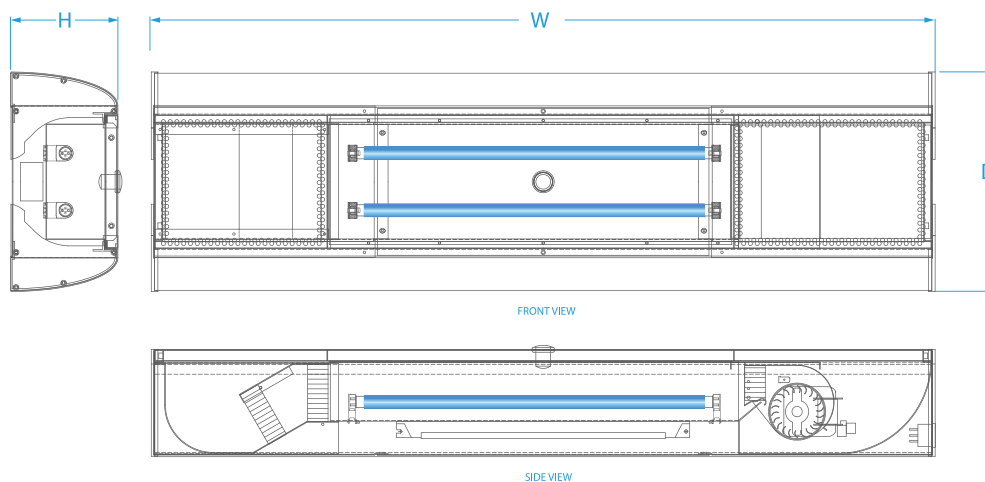
UV-FAN has a epoxy powder-coated bearing structure in extruded aluminium sheet and a front cover with micro-holes, allowing air to enter and exit at both ends, making it pass through the TIOX® filter.

The germicidal chamber houses the UV-C lamps and is built with a special very pure mirrored aluminium, which amplifies the disinfecting power of the lamps.

UV-FAN 2BD-ST-Rc2 model, with integrated 2 external UVC lamps, apart from the function of purifying in presence of people as so far described (operational or daylight phase), provides for the possibility to light the two UVC externally integrated lamps to deeply disinfect the surrounding air and surfaces, by radiating them directly (in the non-operational or night phase, immediately before the use of the room).

The two switches can also be managed separately, using a common programming clock. UV-FAN is ready for use and does not require any special maintenance except for the periodical replacement of the lamps, it is entirely built in Italy, with high quality and extremely resistant materials.

TECHNICAL DRAWINGS



TECHNICAL SPECIFICATIONS

UV-STICK	E2/75H-ST-NX-NT
LAMP LIFETIME (hours - <i>continuous operation</i>)	≤ 18.000
TOTAL CONSUMPTION (W)	2 x 75
DIMENSIONS LxSxH (mm)	404 x 336 x 1420
WEIGHT (Kg)	7
TREATED VOLUME (m ³)	50 ÷ 100
TREATED SURFACE (m ²)	15 ÷ 30
PROTECTION RATING	IP 20
REPLACEMENT LAMP	n°2 CHS-90WH

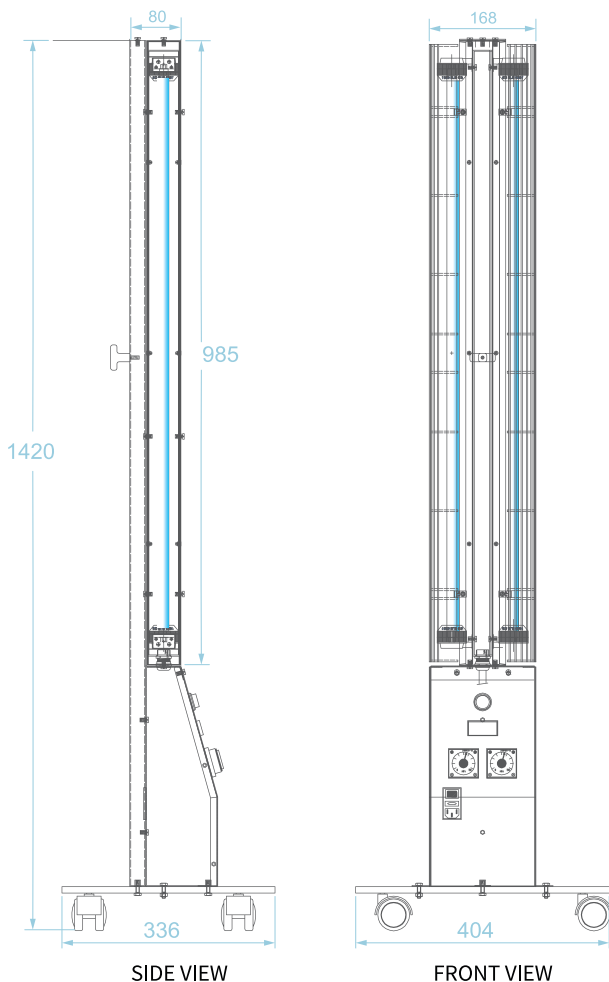
The UV-STICK has a stainless steel structure and is equipped with a power cable 2.5 m long, with plug.

UV-STICK can be equipped with special units for operational control, which, especially in the case of installation of several units, can handle switching on and off, input security check in the room treated, failure alarm and hour-counter.

The device can be switched on during work breaks, always when the staff is not present, so it radiates surfaces, which are then disinfected.

UV-STICK is ready to use and does not require any special maintenance, except for the periodical replacement of the lamps. UV-STICK is entirely manufactured in Italy, with high quality and extremely resistant materials.

TECHNICAL DRAWINGS





S P E C T R A®

PROFESSIONAL UV SOLUTIONS

Str. Zizinului, Nr. 110, 500407, Braşov, România
www.spectra.ro / contact@spectra.ro / (+40) 0770-187-379
SPECTRA is a trademark of AKRO