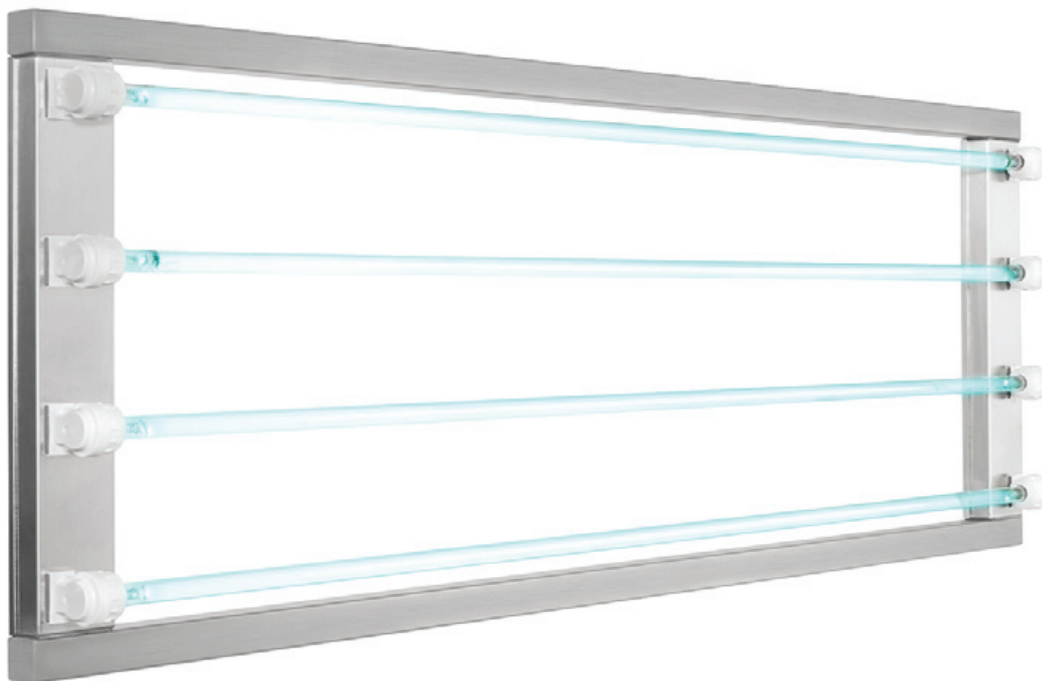


Industry: HVAC

UV Duct SQ



**Disinfection system
for HVAC**

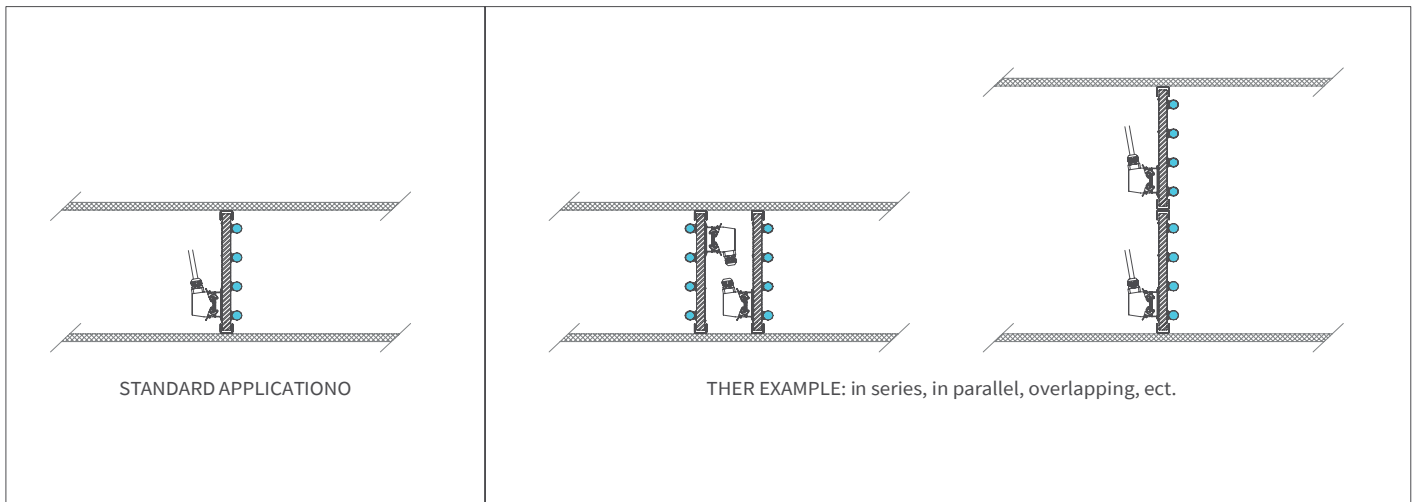
Applied inside ducts, or inside AHU (Air Handling Unit) UV-DUCT-SQ creates an “UVGI section” that inhibits the proliferation of viruses, bacteria, moulds and spores settling inside Air Conditioning Systems, and very dangerous for health.

UV-DUCT-SQ is very versatile and its shape has been designed to adapt quickly to different applications; UV-DUCT-SQ is a modular system that can be mounted by itself or combined with other modules side-by-side, overlapping, etc.

INSTALLATION

You can place UV-DUCT-SQ after or before heating, humidification, filters, ect, or whenever you would like to perform the treatment. UV-DUCT-SQ can be installed both horizontally and vertically. UV-DUCT-SQ has been designed so it can be applied in a modular and easy combination, you can mount more devices in parallel, overlapping or in series, according to the size of the duct and according to the UV dose required. To force the air flow to pass through

UV lamps, it is auspicious that the duct's section will be completely occupied by module/s; Our Technical department calculate number and type of devices needed, considering duct's section, air flow, air temperature and humidity and the desired level of desired microbial load. You just need few simple steps to secure the device to the duct and make it work, UV-DUCT-SQ fits easily in filters' space inside AC system.



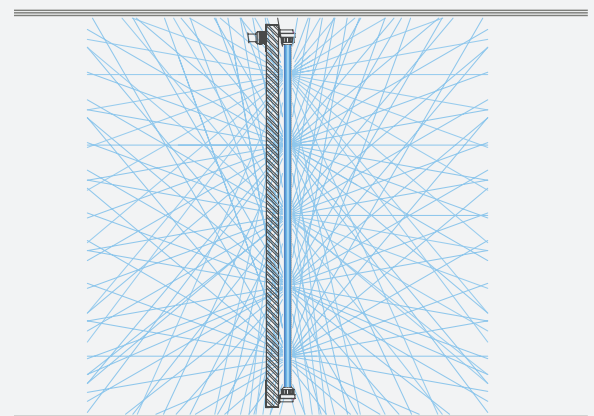
UV-DUCT-SQ family includes modules with 4 or 6 lamps, of different sizes and wattages, all in stainless steel. UV-C lamps are equispaced and positioned in a grid through which airflow in the duct is forced to move.

UV-DUCT-SQ has been designed to adapt to different sizes and ducts sections, placing one device to cover the surface or matching more devices together side-

by-side, one on the other (overlapping), in series, etc. using scroll-in "U" profile, like filters. Ballasts specific for Light Progress UV-C lamps, are inserted inside a SUPPLY BOX, IP55 insulated. They optimize lamps performance and durability. UV-DUCT-SQ is made with high quality and extremely durable components, and works perfectly in difficult operating conditions (high humidity, low temperature, etc.).

FEATURES

- Selective UV-C Light Progress lamps (emission peak at 253.7 nm.) high efficiency, ozone free, pure quartz.
- Body in STAINLESS STEEL AISI 304
- All materials are tested for resistance to intense UV-C rays.
- Waterproof and dust-proof (IP 55).
- Powered by electronic ballasts specific for Light Progress UV-C rays lamps.
- Supply Box with Synoptic view
- CE mark (LVD - EMC - MD - RoHS).

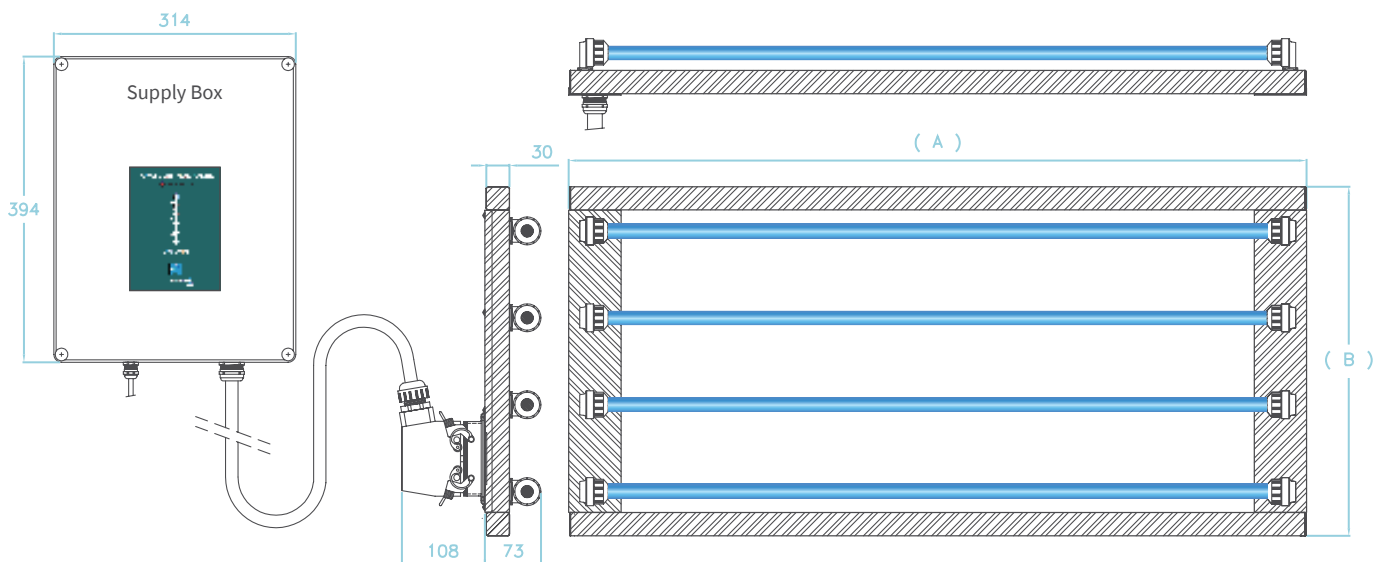


Rays distribution.

TECHNICAL SPECIFICATIONS

UV-DUCT-SQ	4/40H	4/90H	4/120H	6/40H	6/90H	6/120H
LAMP LIFETIME (hour)	9000	9000	9000	9000	9000	9000
CONSUMPTION (W)	40x4 = 160	80x4 = 320	100x4 = 400	40x6 = 240	80x6 = 480	100x6 = 600
UV-C emission (W)	13x4 = 52	26x4 = 104	32x4 = 128	13x6 = 78	26x6 = 156	32x6 = 192
MODULE DIMENSIONS (mm)	73x450x496	73x450x953	73x450x1234	73x600x496	73x600x953	73x600x1234
DIMENSIONS (A) (mm)	496	953	1234	496	953	1234
DIMENSIONS (B) (mm)	450	450	450	600	600	600
SUPPLY BOX DIMENSIONS (mm)	314x394x128	314x394x128	314x394x128	314x394x128	314x394x128	314x394x128
Weight (Kg)	5,00	5,50	6,00	6,00	6,50	7,00

TECHNICAL DRAWINGS





S P E C T R A

PROFESSIONAL UV SOLUTIONS

Str. Zizinului, Nr. 110, 500407, Braşov, România
www.spectra.ro / contact@spectra.ro / (+40) 0770-187-379
SPECTRA is a trademark of AKRO